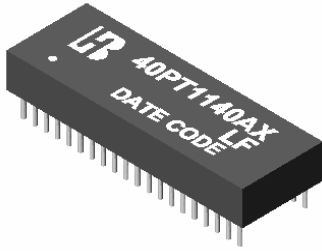




40 PIN DIP ETHERNET 10/100 BASE –TX HIGH SPEED LAN MAGNETICS

P/N: 40PT1140AX LF DATA SHEET

Feature



- Compliant with IEEE 802.3u and ANSI X 3.263 standards including 350 uH OCL with 8 mA bias.
- Symmetrical TX and RX channels for auto MDI/MDIX capability.
- Comply with RoHS requirements-whole part No Cd, No Hg, No Cr6+, No PBB and PBDE and No Pb on external pins.
- Operating temperature range:0 to +70 .
- Storage temperature range:-25 to +105 .

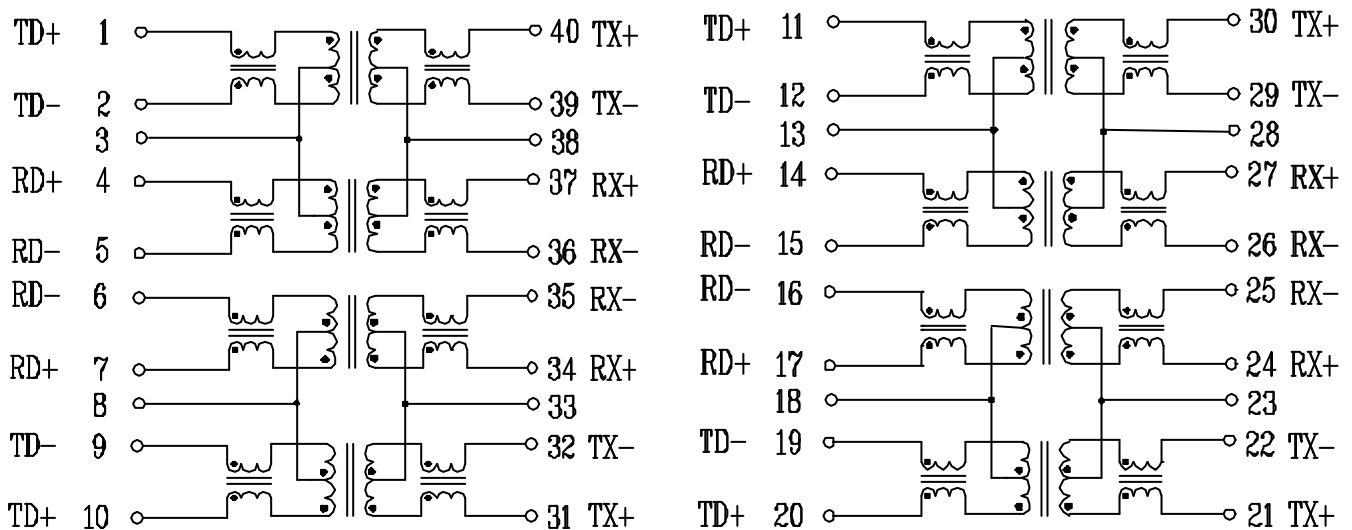
Electrical Specifications @ 25° C

Part Number	Turns Ratio (±5%)		OCL(uH Min) @100KHz/0.1V with 8mA DC Bias	Insertion Loss (dB Max)		HI-POT (Vrms)
	TX	RX		0.1-100MHz		
40PT1140AX LF	1CT:1CT	1CT:1CT	350	-1.0		1500

Continue

Part Number	Cross talk (dB Min)	DCMR (dB Min)	Return Loss (dB Min)			
	0.3-100MHz		0.3-100MHz	2-3MHz	40MHz	50MHz
40PT1140AX LF	-35	-30	-18	-14.4	-13.1	-12

Schematic

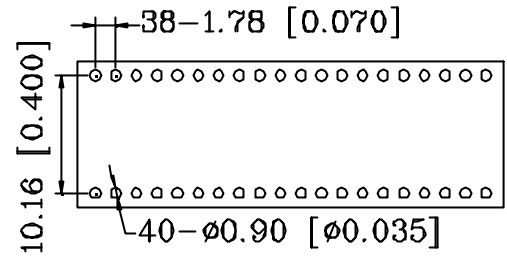
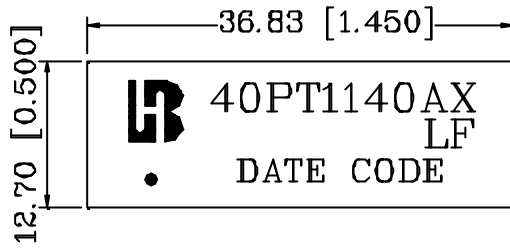




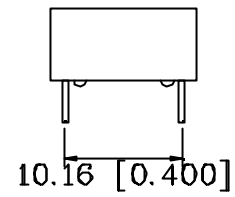
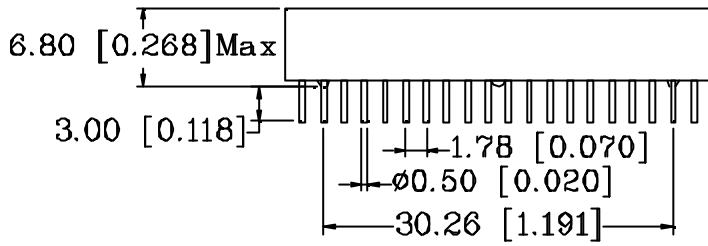
40 PIN DIP ETHERNET 10/100 BASE –TX HIGH SPEED LAN MAGNETICS

P/N: 40PT1140AX LF DATA SHEET

Mechanical



SUGGESTED PAD LAYOUT



Units: mm[Inches] Tolerance: xx.x0±0.25[0.010]

0.xx±0.05[0.002]